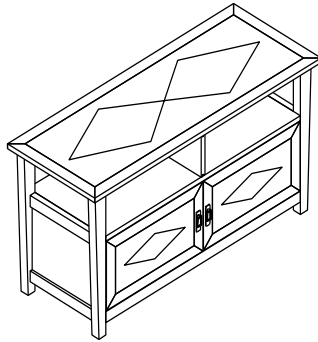


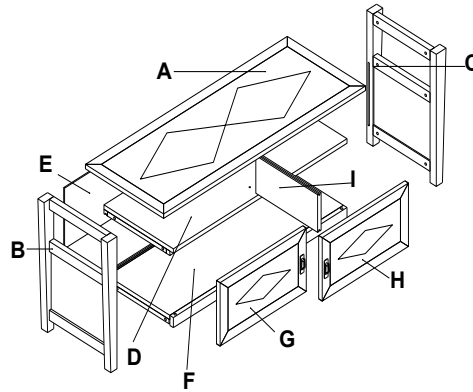
TV Stand



Thank you for purchasing our TV Stand. We have found it helpful to have a second person present in at least one step of the assembly.

TV Stand Assembly Instructions

Lay out all parts on a "non-abrasive" surface to avoid scratching furniture.



NO.	DRAWING	DESCRIPTION	QTY.
A		TOP	1
B		END PANEL-L	1
C		END PANEL-R	1
D		SHELF	1
E		BACK PANEL	1
F		BOTTOM PANEL	1
G		DOOR-L	1
H		DOOR-R	1
I		DIVIDER	1

NO.	DRAWING	DESCRIPTION	QTY.
J		M6*35mm BOLT	12
K		HEX WRENCH	1
L		DOOR PULL	2
M		DOOR PULL SCREWS	4
N		M6*60mm BOLT	2
O		MINIFIX CONNECTING BOLT	2
P		WIRE GLIDE	2

PARTS

Step 1

Read through these instructions thoroughly before beginning assembly. We have found this to be of great value when first assembling this product.

Step 2

Remove all parts and hardware from packing material. Wooden pieces should be placed on a non-abrasive surface (like the carton or carpet) to prevent damage to the finish.

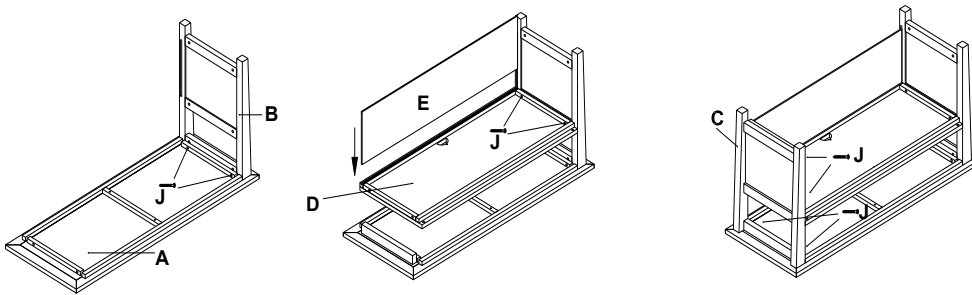
Step 3, 4 and 5

Note: It will help to have a second person at this time to assist in assembly.

Lay Top (A) upside down. Attach Left End Panel (B) to Top (A) with 2 Hex Bolts M6 x 35mm (J).

Attach Shelf (D) to Left End Panel (B) with 2 Hex Bolts M6 x 35MM (J). Note: Stand is upside-down

Back Panel (E) into groove in Shelf (D) and Right End Panel (C). right panel is on left-hand side.
Attach Right End Panel (C) to Top (A) and Shelf (J) with 4 Hex Bolts M6 x 35mm (J).

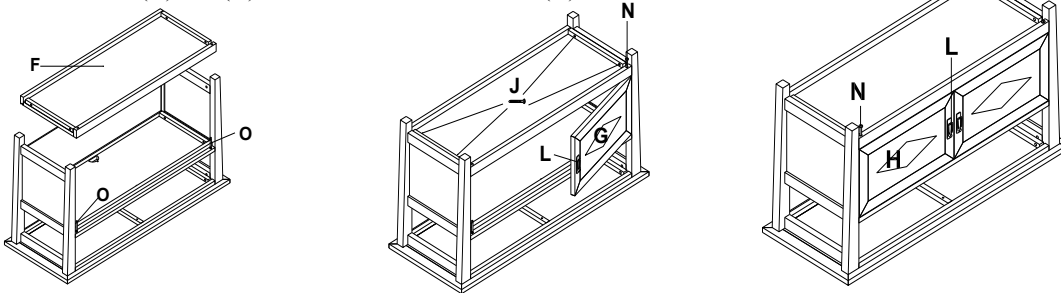


Step 6 and 7

Note: It will help to have a second person at this time to assist in assembly.

Put 2 Minifix Connecting Bolts (O) into Shelf (J) and attach Bottom Panel (F) with 4 Hex Bolts M6 x 35mm (J) to Left and Right End Panels (B) and (C).

Install Doors (G) and (H) with 2 Hex Bolts 6 x 60mm (N).

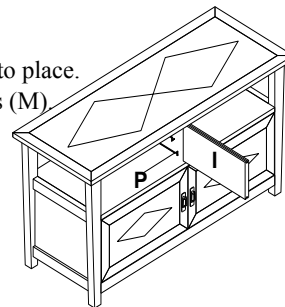


Step 8, 9, 10 and 11

Turn TV Stand Right-side Up.

Install Wire Guide (P) to Top (A) and Shelf (D) and slide Divider (I) into place.

Attach 2 Door Pulls (L) to Doors (G) and (H) using 4 Door Pull Screws (M)



CARE

Clean with mild soap and wipe dry.

REPLACEMENT PARTS:

For best service, to order replacement parts go to www.alaterrefurniture.com. Use the order form on the web site to order your replacement parts. **Thank You!**